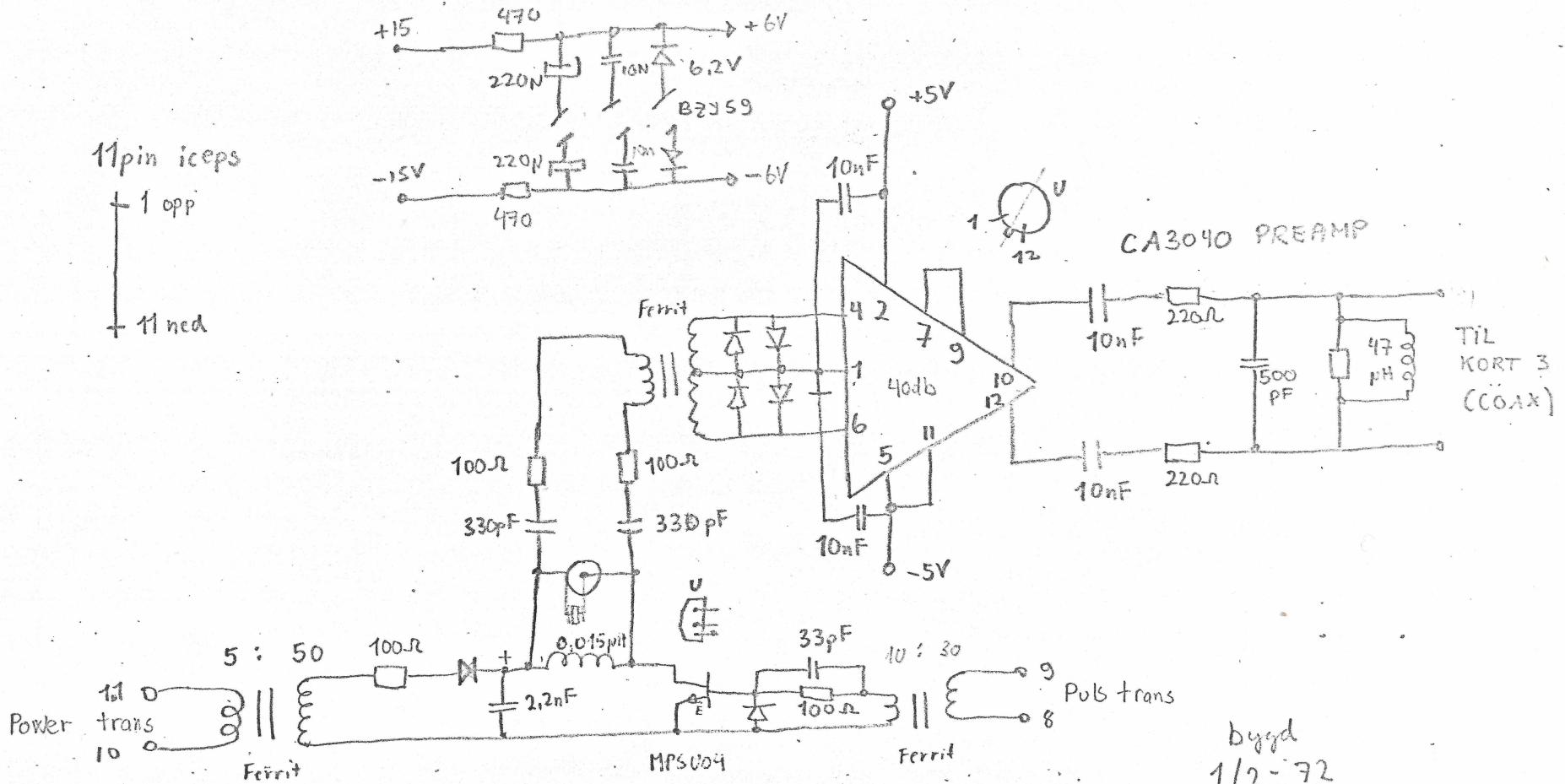


UCG

Ultralyd Cardiograf

Design: RUNE AASLID (winter 1972)

Diagrams drawn and then "soldered up" by Øyvind Teig (winter 1972), who also scanned them from somewhat refreshed originals (thin pencil) (June 2022)



11 pin i.e.p.s
 1 opp
 1 ned

CA3040 PREAMP

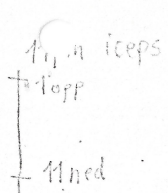
TIL KORT 3 (COAX)

Puls trans

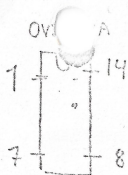
bygd
 1/2-72
 Øyvind Teig

KORT 1

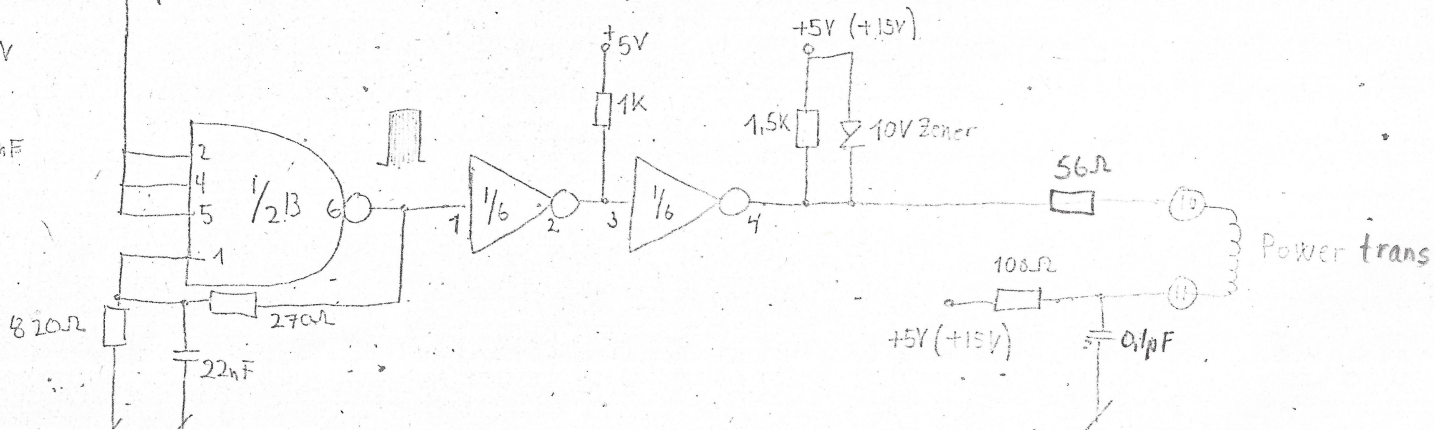
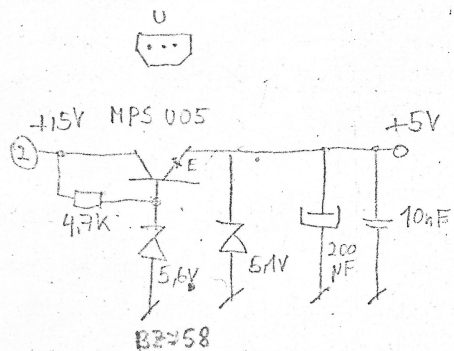
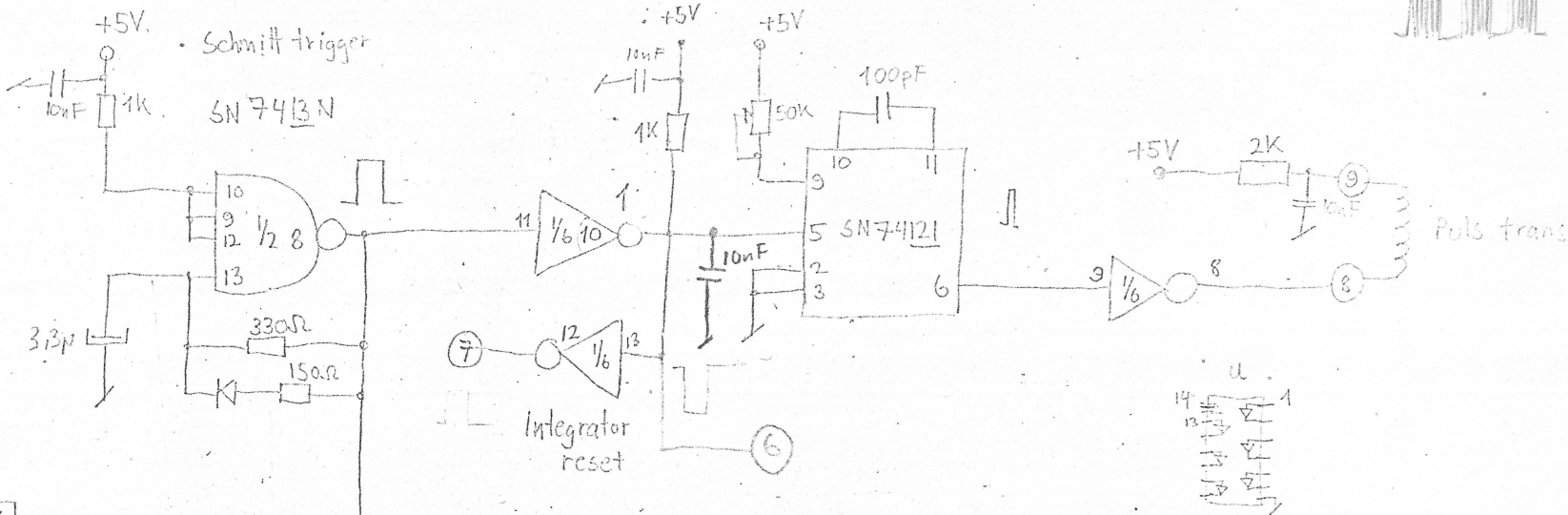
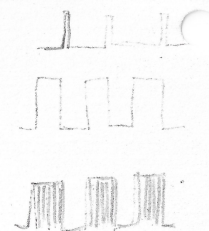
Design: RUNE AASLID (winter 1972)
 Diagrams drawn and then "soldered up" by Øyvind Teig (winter 1972), who also scanned them from somewhat refreshed originals (thin pencil) (June 2022)



1. jord
2. +15V
3. -15V



6 x 1/6 SN7406

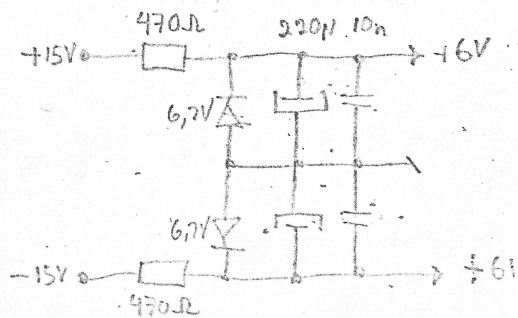
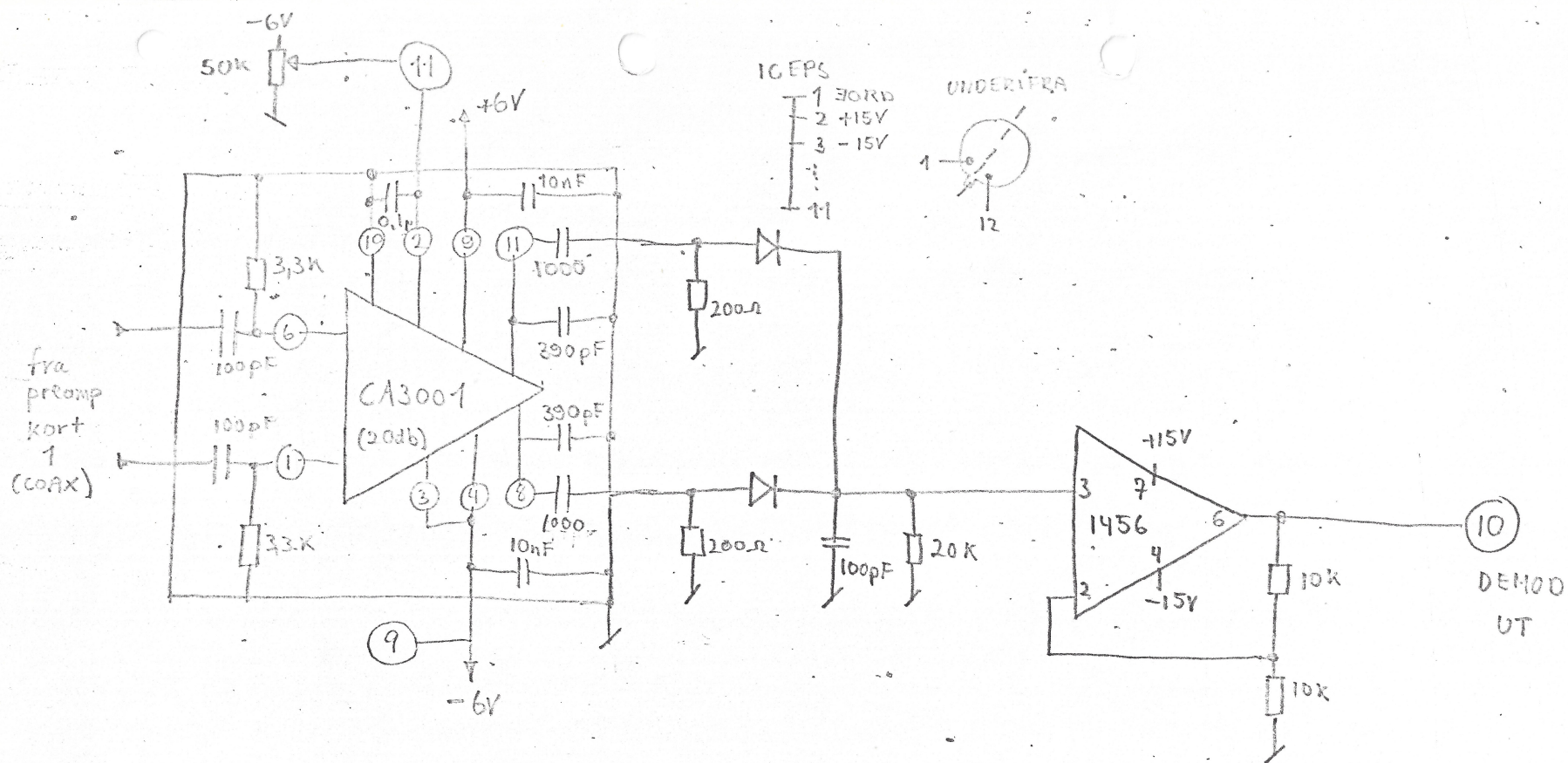


Design: RUNE AASLID (winter 1972)

Diagrams drawn and then "soldered up" by Øyvind Teig (winter 1972), who also scanned them from somewhat refreshed originals (thin pencil) (June 2022)

PULS GENERATOR, KORT 2

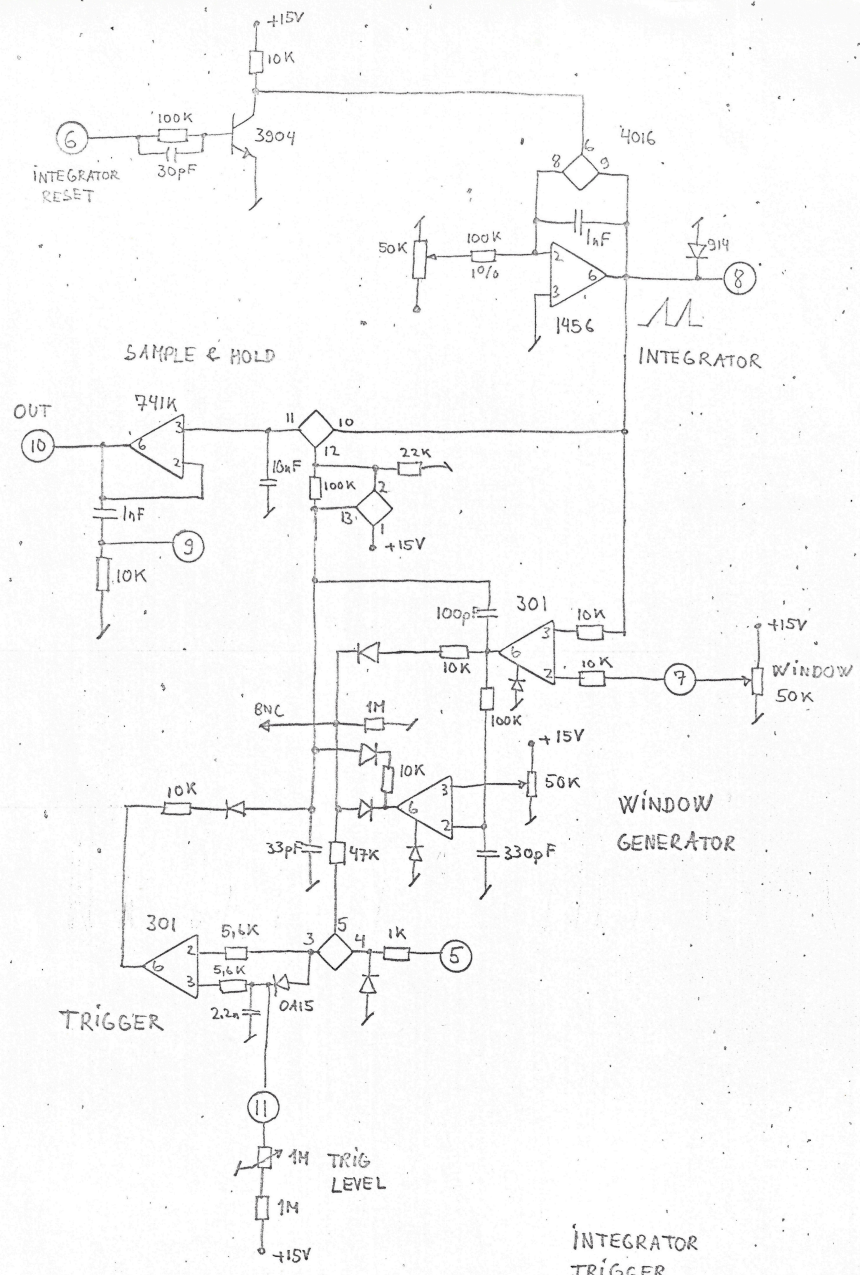
7/2-92



Design: RUNE AASLID (winter 1972)
 Diagrams drawn and then "soldered up" by Øyvind Teig (winter 1972), who also scanned them from somewhat refreshed originals (thin pencil) (June 2022)

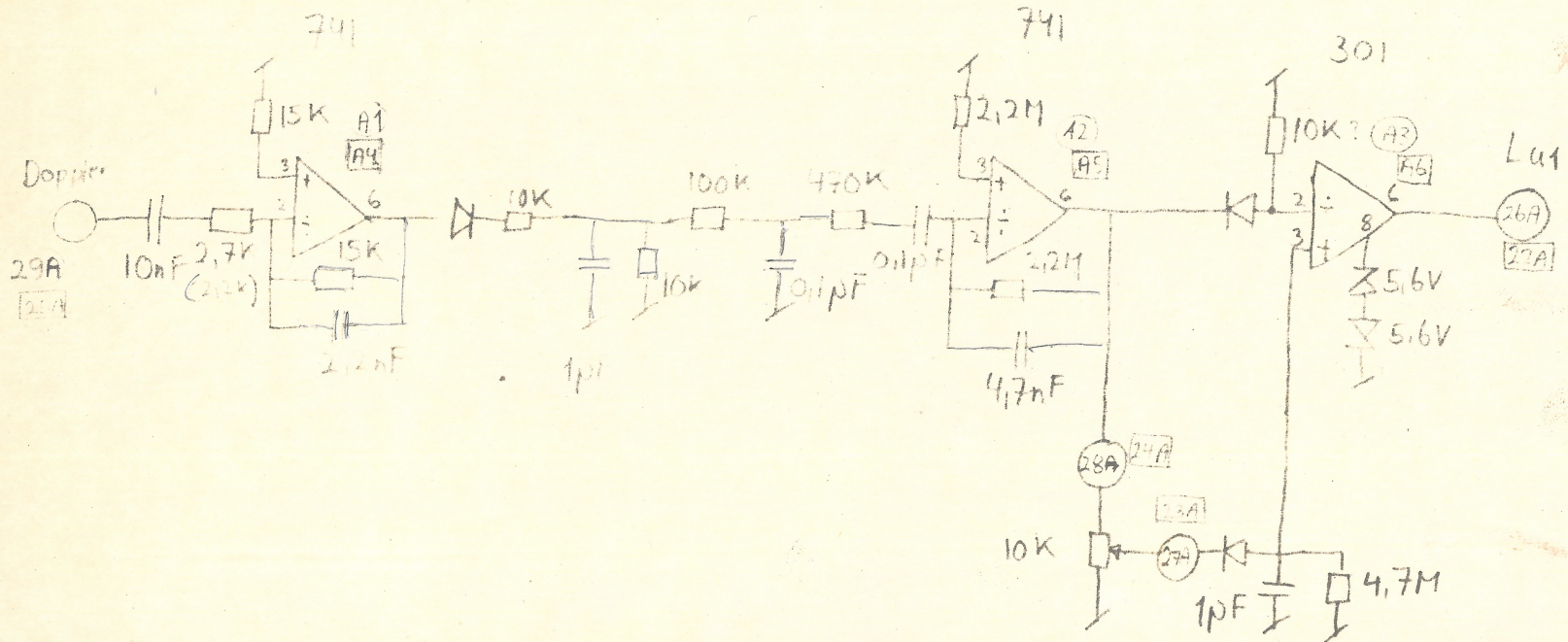
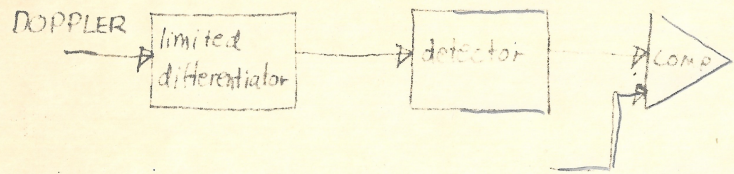
FORSTERKER, DEMODULATOR

KORT 3



Design: RUNE AASLID (winter 1972)
 Diagrams drawn and then "soldered up" by Øyvind Teig (winter 1972), who also scanned them from somewhat refreshed originals (thin pencil) (June 2022)

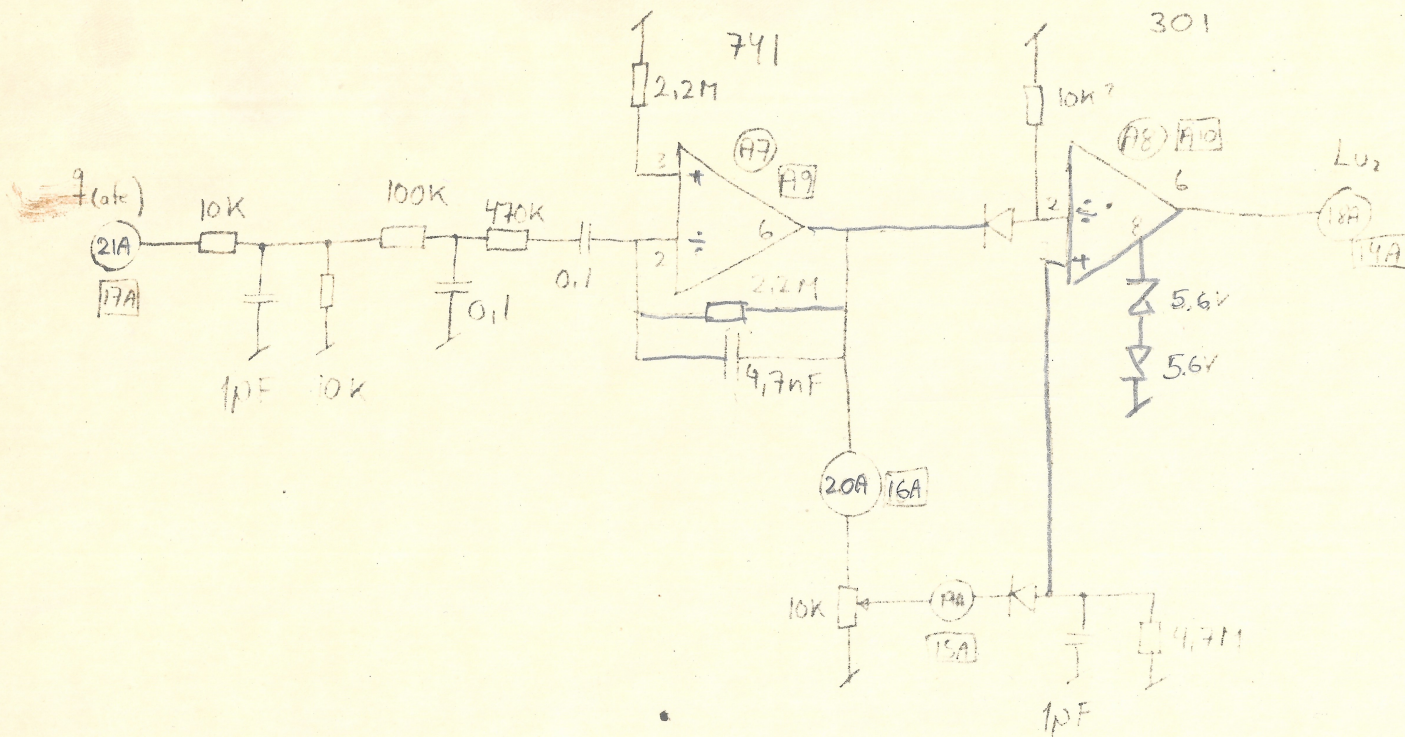
INTEGRATOR
 TRIGGER
 WINDOW GEN.
 SAMPLE & HOLD
 KORT 4



UPSTROKE DOPPLER DETECTOR UDD
1.

Design: RUNE AASLID (winter 1972)

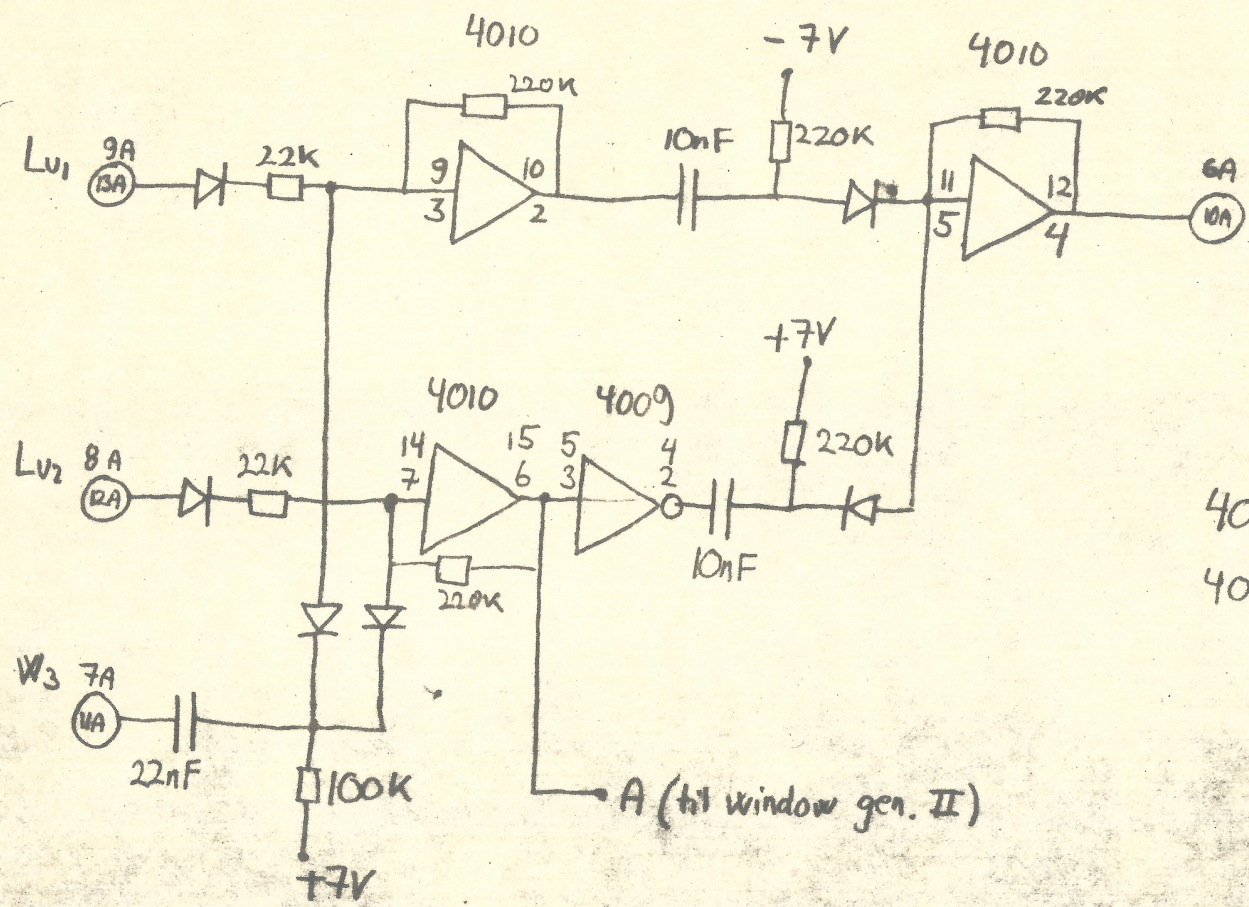
Diagrams drawn and then "soldered up" by Øyvind Teig (winter 1972), who also scanned them from somewhat refreshed originals (thin pencil) (June 2022)



UPSTROKE DOPPLER DETECTOR (UDD)
2.

Design: RUNE AASLID (winter 1972)

Diagrams drawn and then "soldered up" by Øyvind Teig (winter 1972), who also scanned them from somewhat refreshed originals (thin pencil) (June 2022)

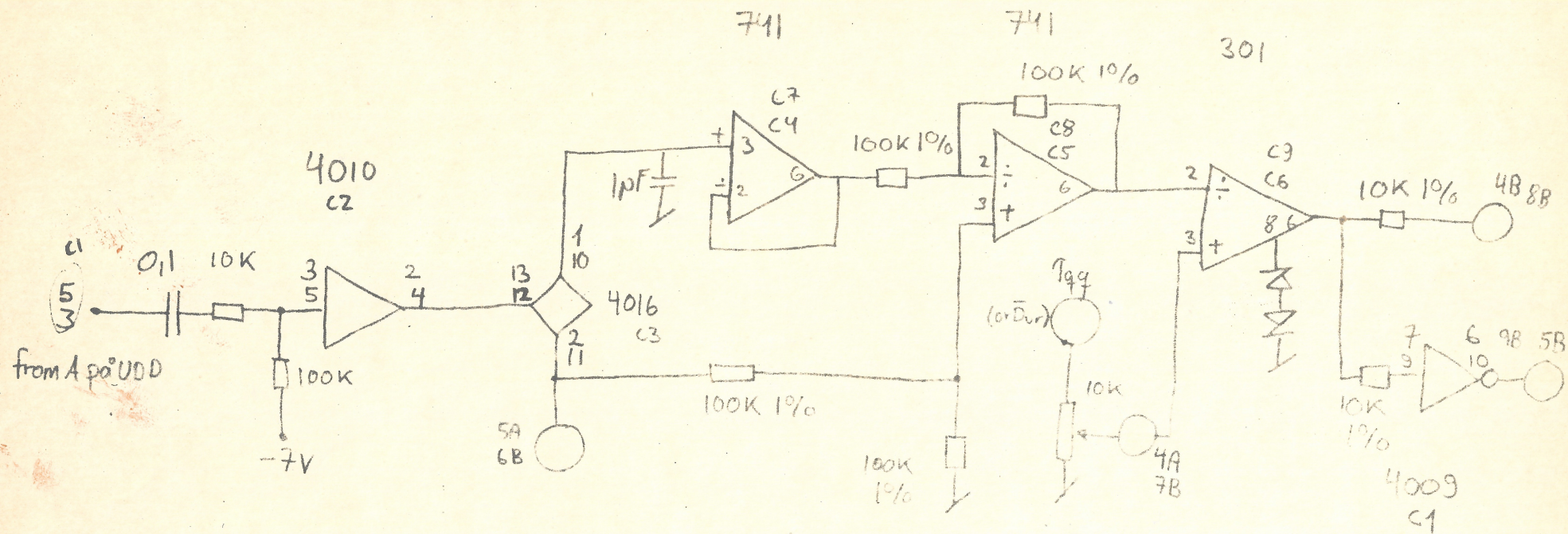


4010 står på B1
 4009 står på C1

UDD .3.

Design: RUNE AASLID (winter 1972)

Diagrams drawn and then "soldered up" by Øyvind Teig (winter 1972), who also scanned them from somewhat refreshed originals (thin pencil) (June 2022)



WINDOW GENERATOR II

Design: RUNE AASLID (winter 1972)

Diagrams drawn and then "soldered up" by Øyvind Teig (winter 1972), who also scanned them from somewhat refreshed originals (thin pencil) (June 2022)