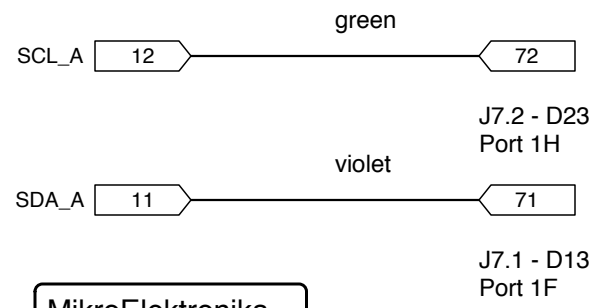
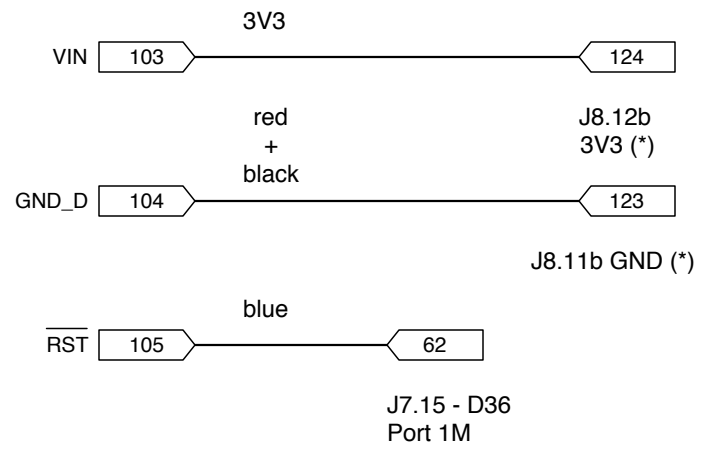


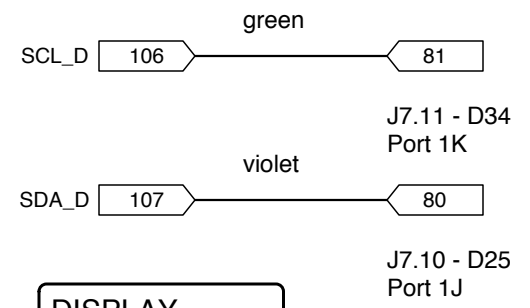
Terminals on XMOS startKIT board



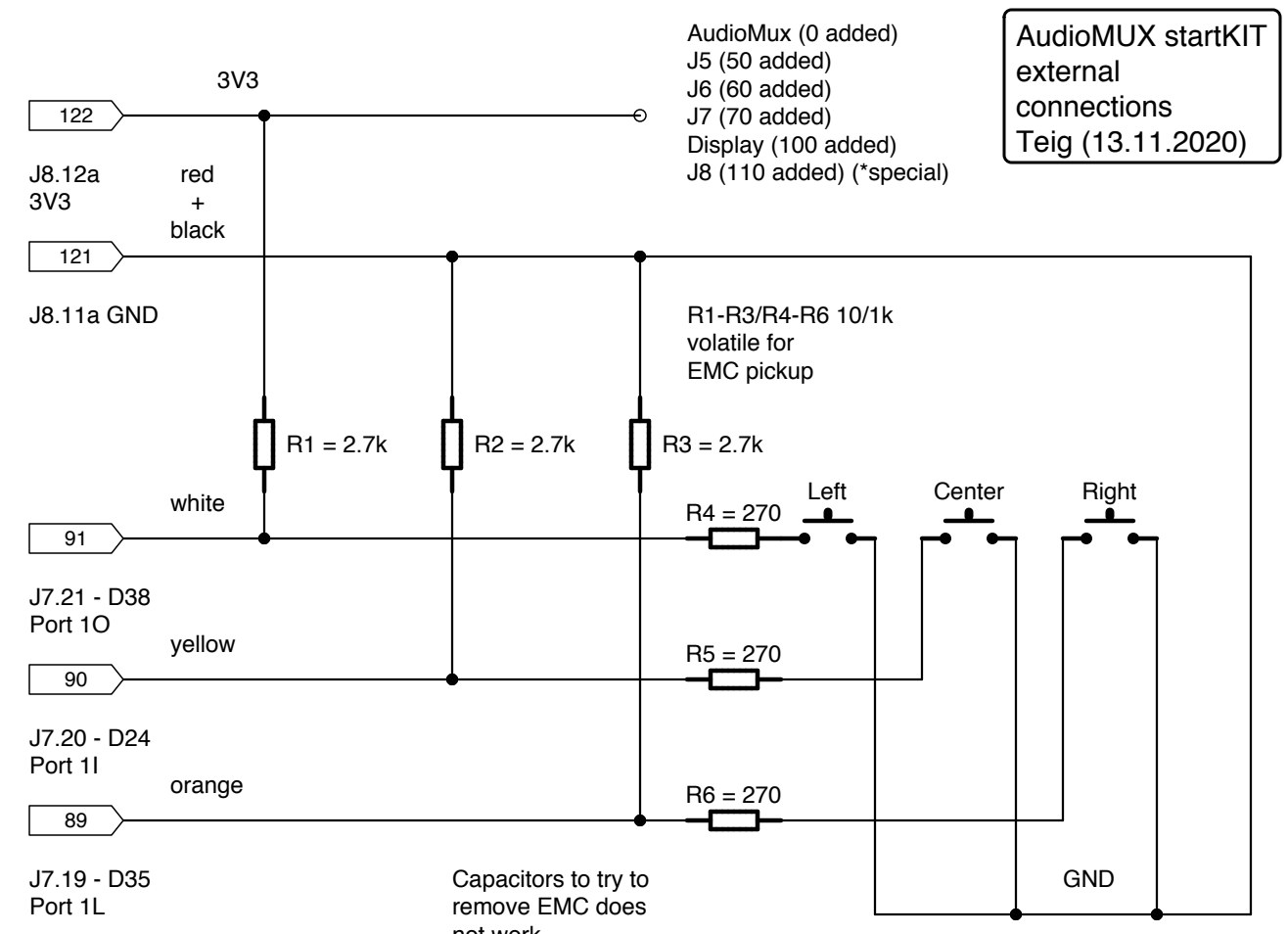
MikroElektronika AudioMUX Sound board with TDA7468D



Terminals on XMOS startKIT board



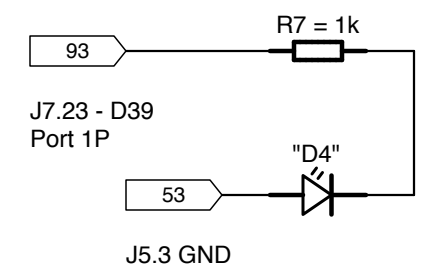
DISPLAY ADAFRUIT #931 SSD1306 128X32 OLED



AudioMUX startKIT external connections Teig (13.11.2020)

Capacitors to try to remove EMC does not work. R-R of 10k/1k is too volatile for EMC pickup. Use shielded cable if the box is not metal

LED has no board (below)



BUTTONS BOARD