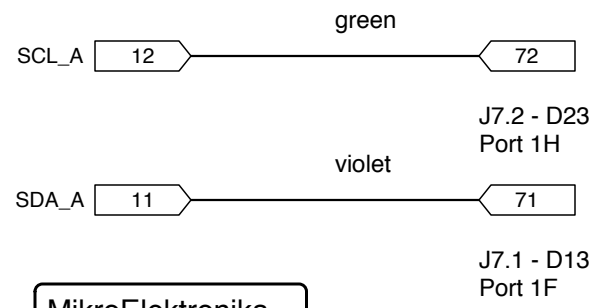
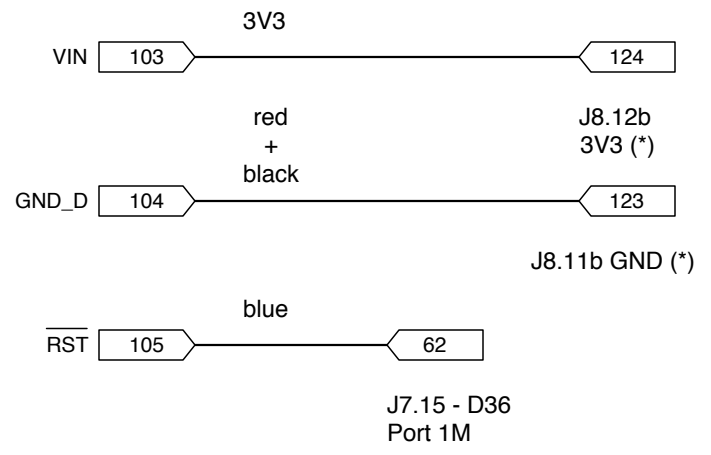


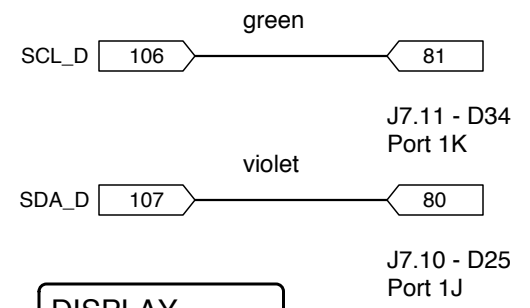
Terminals on XMOS startKIT board



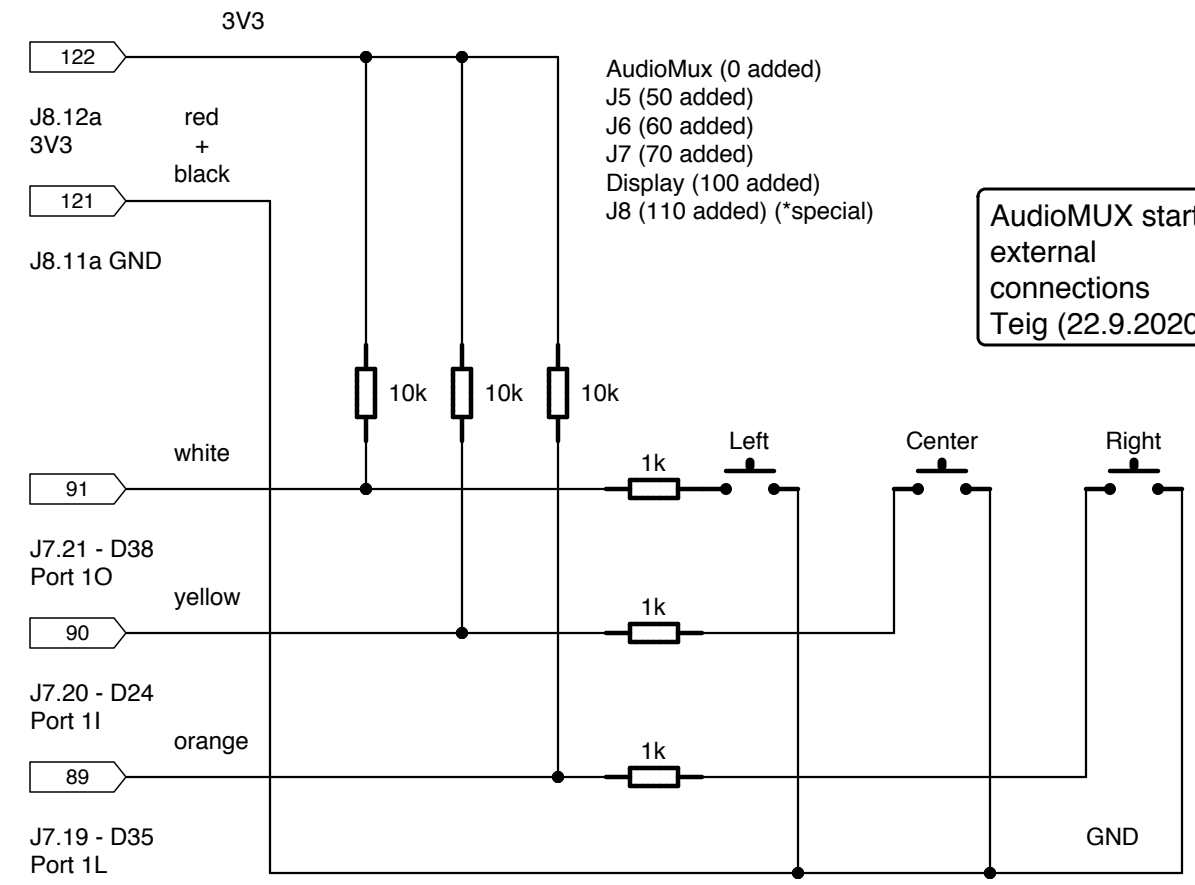
MikroElektronika
AudioMUX
Sound board with
TDA7468D



Terminals on XMOS startKIT board



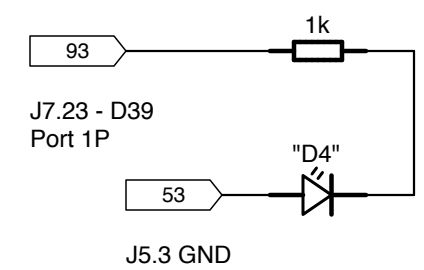
DISPLAY
ADAFRUIT #931
SSD1306
128X32 OLED



AudioMux (0 added)
J5 (50 added)
J6 (60 added)
J7 (70 added)
Display (100 added)
J8 (110 added) (*special)

AudioMUX startKIT
external
connections
Teig (22.9.2020)

LED has no board (below)



BUTTONS BOARD