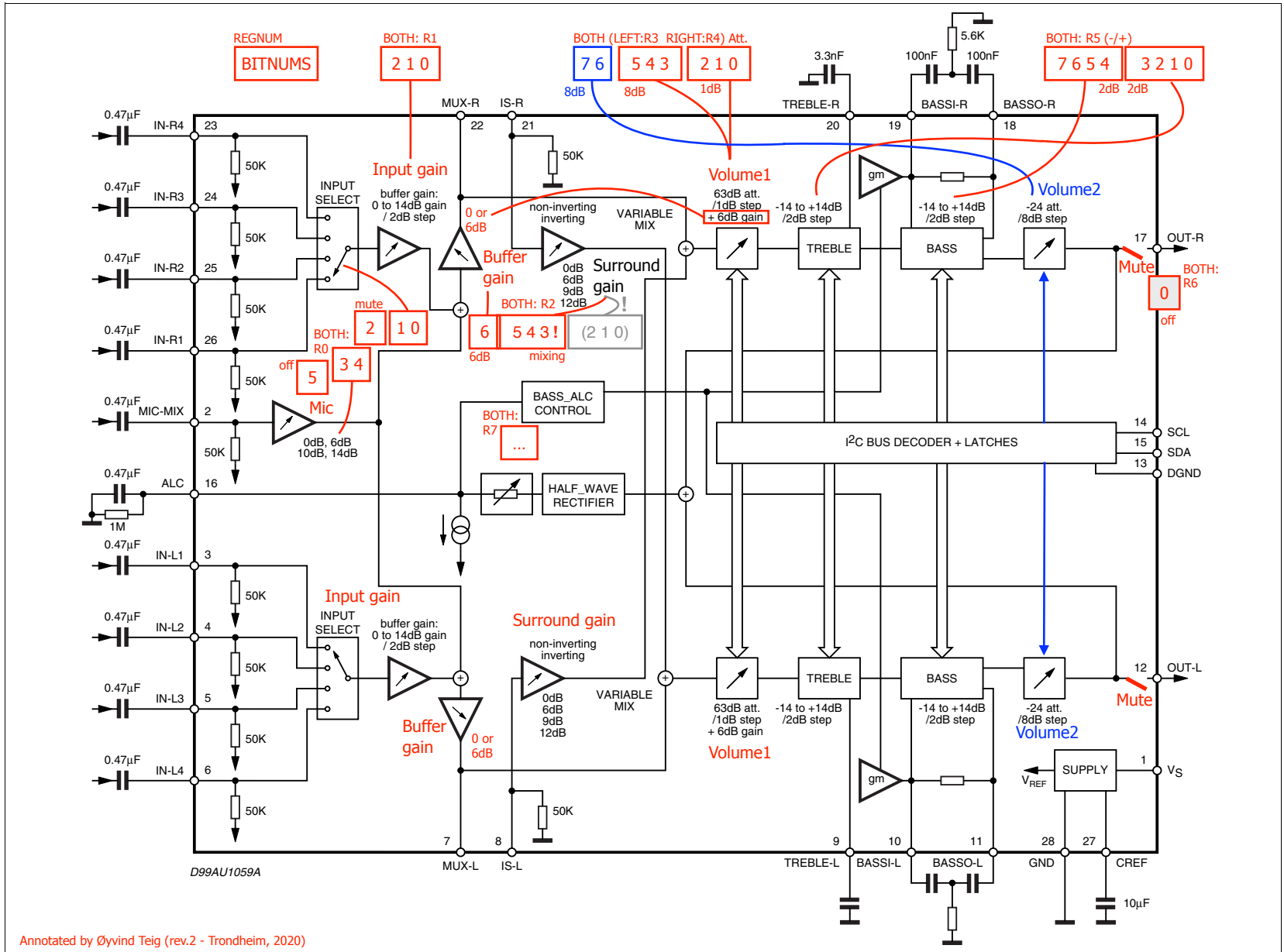


Figure 4. TEST CIRCUIT



Annotated by Øyvind Teig (rev.2 - Trondheim, 2020)

