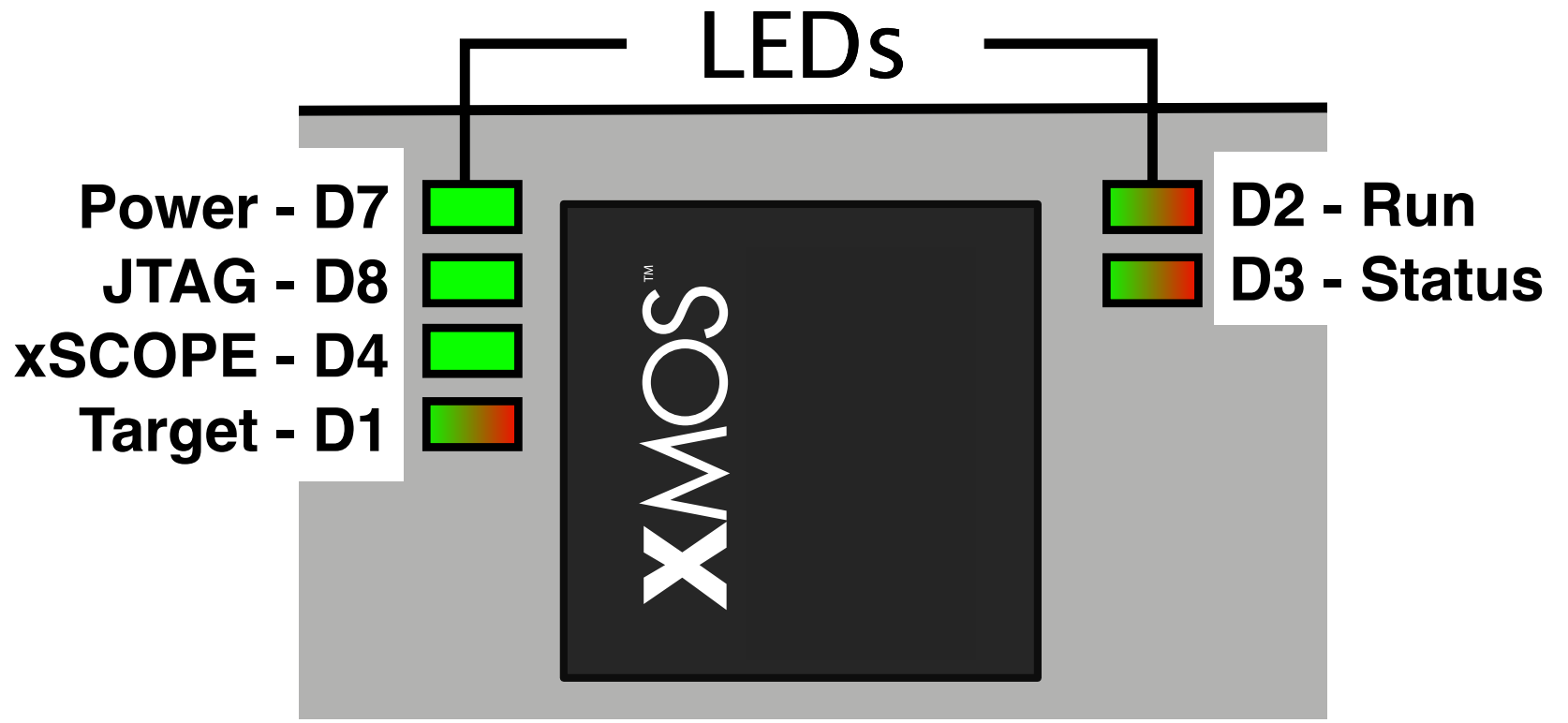
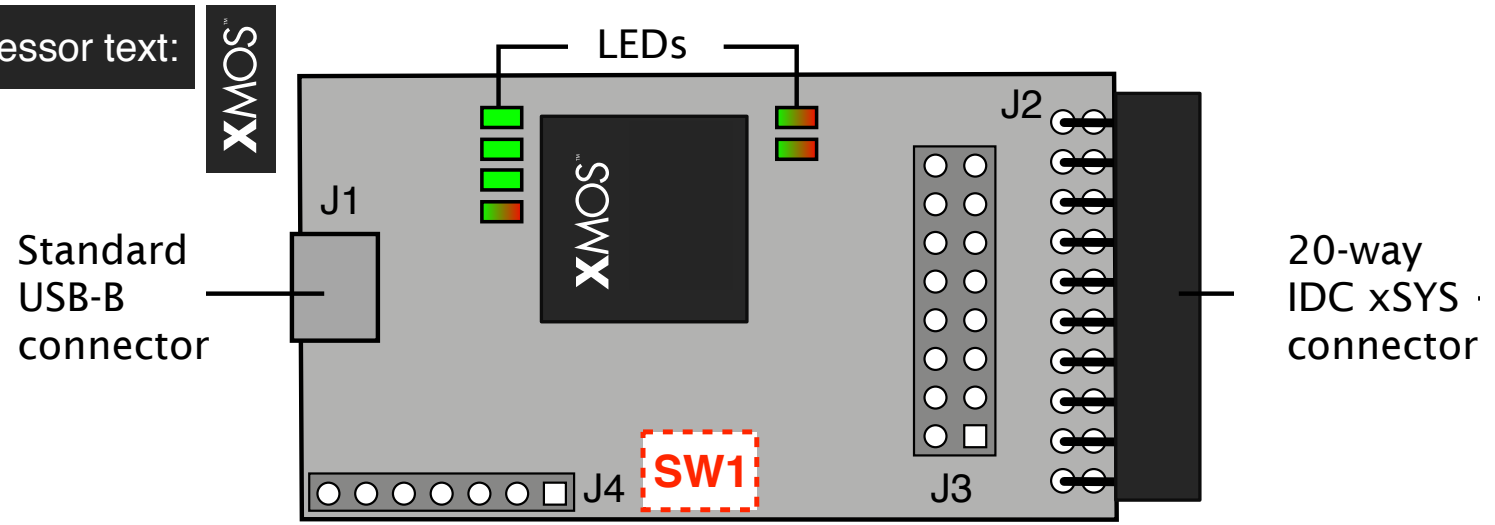


Rotated Figure 1:
xTAG v3.0
features

Edited from: **xTAG v3.0 Hardware Manual**, XMOS 2015, see <https://www.xmos.com/support/boards?product=19480>



Now shown correct is processor text:



Rotated Figure 1:
xTAG v3.0
features

**Power button
(not mounted)
(irrelevant?)**

