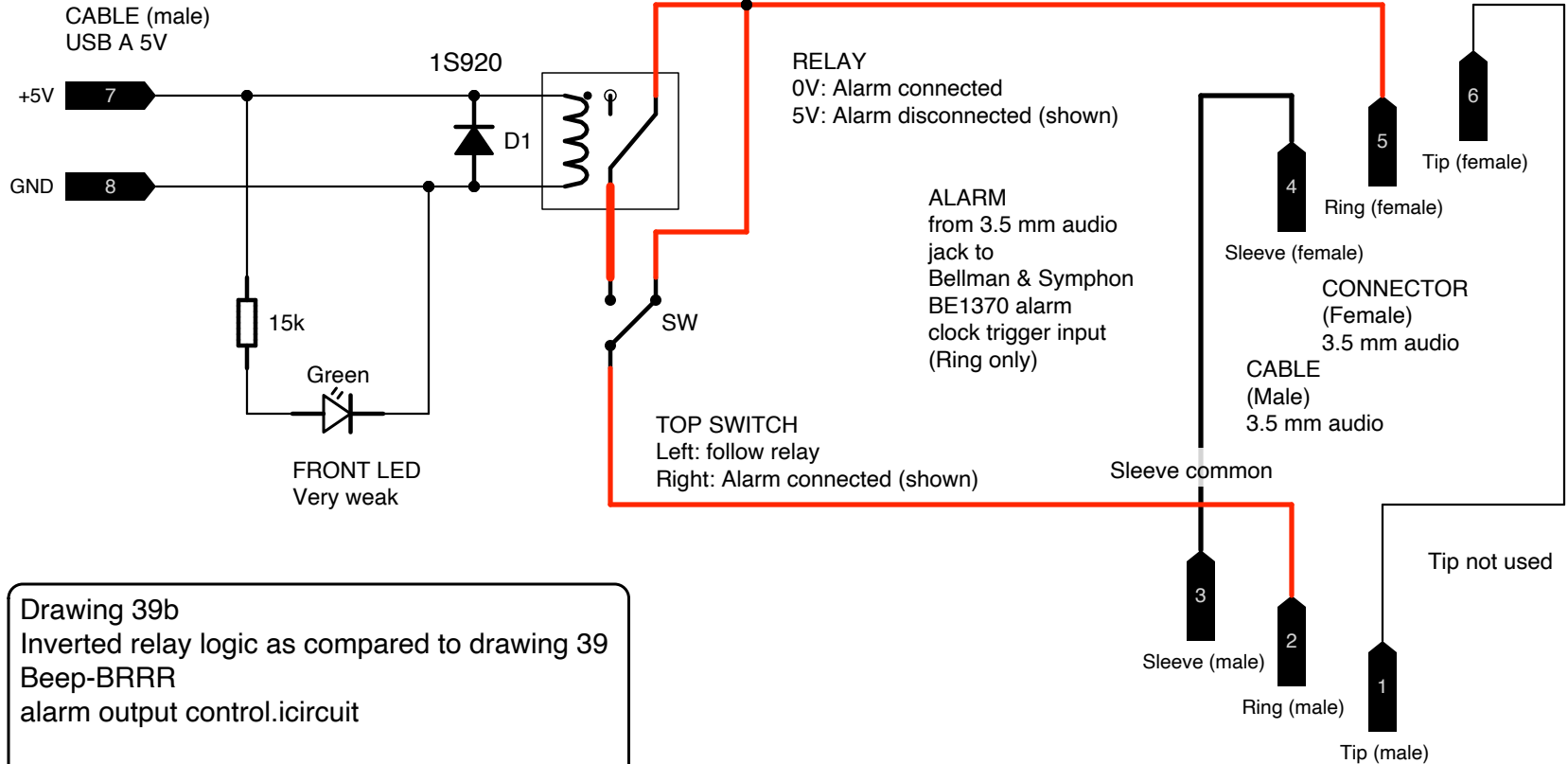


RELAY
 5VDC, 125 Ohm, D2
 HJR 1-2C
 NingBo TianBo Electronics



Drawing 39b
 Inverted relay logic as compared to drawing 39
 Beep-BRRR
 alarm output control.icircuit
 24.10.2024