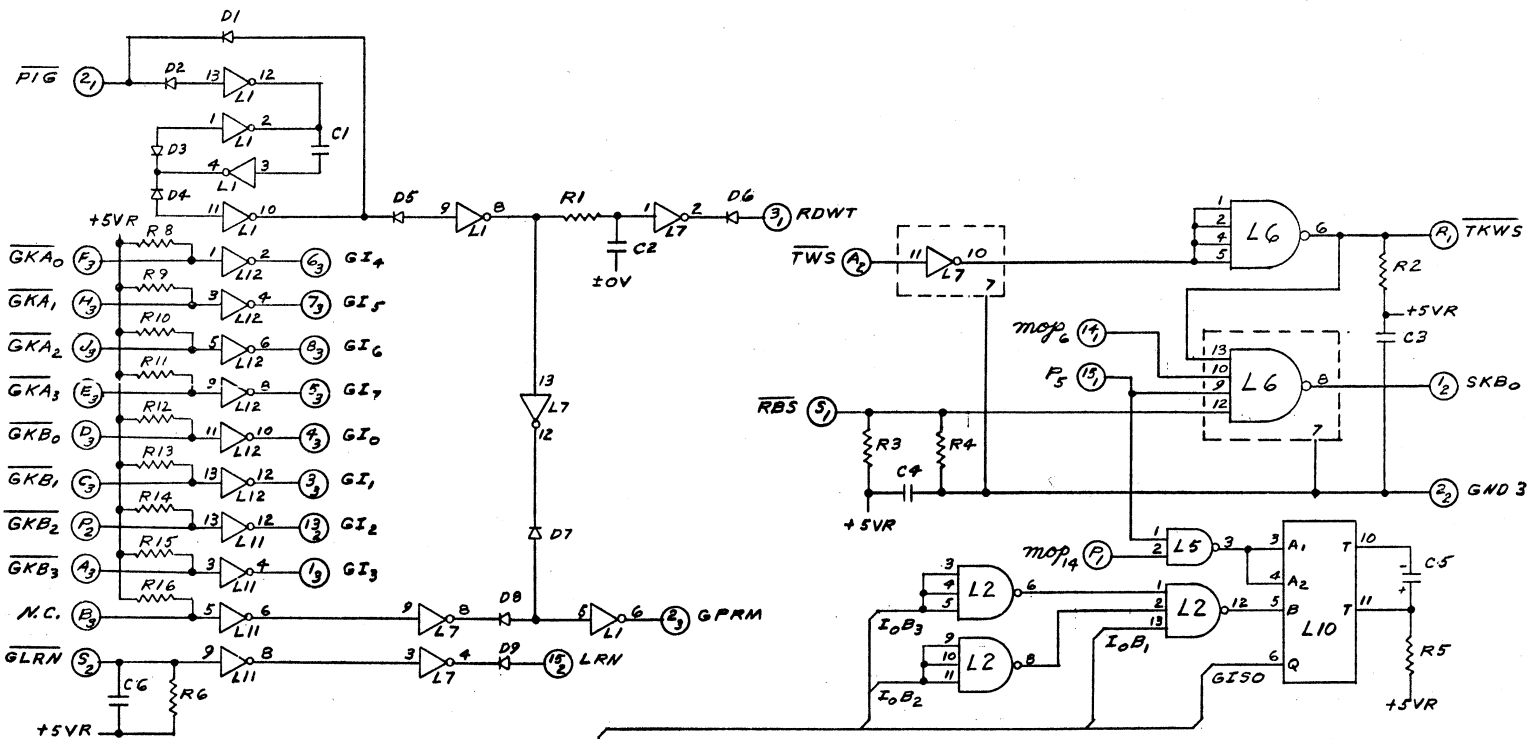
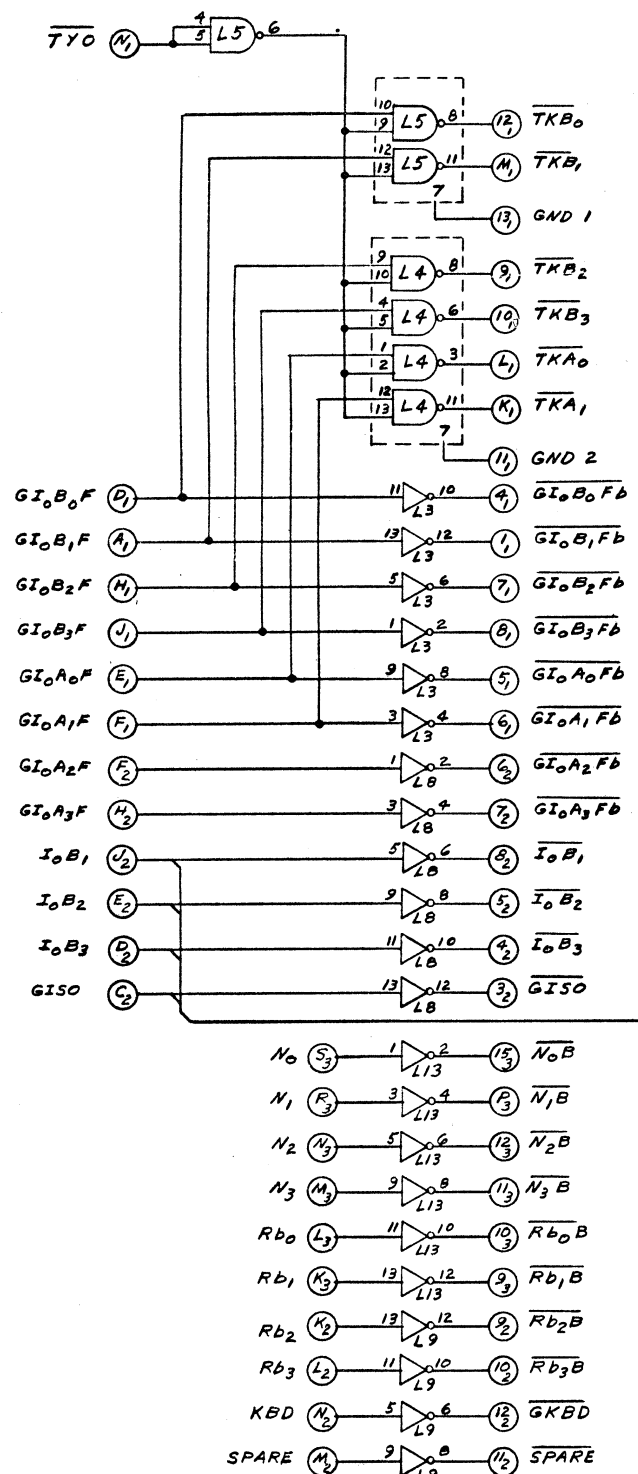
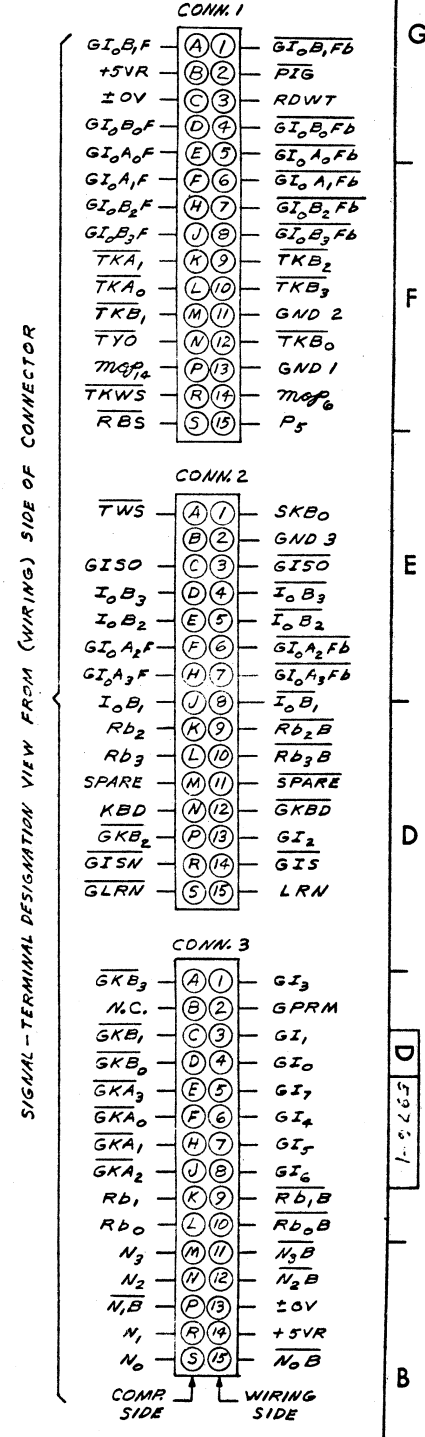
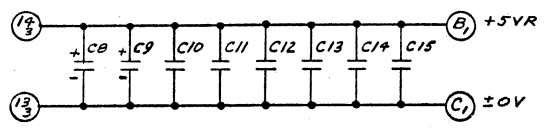
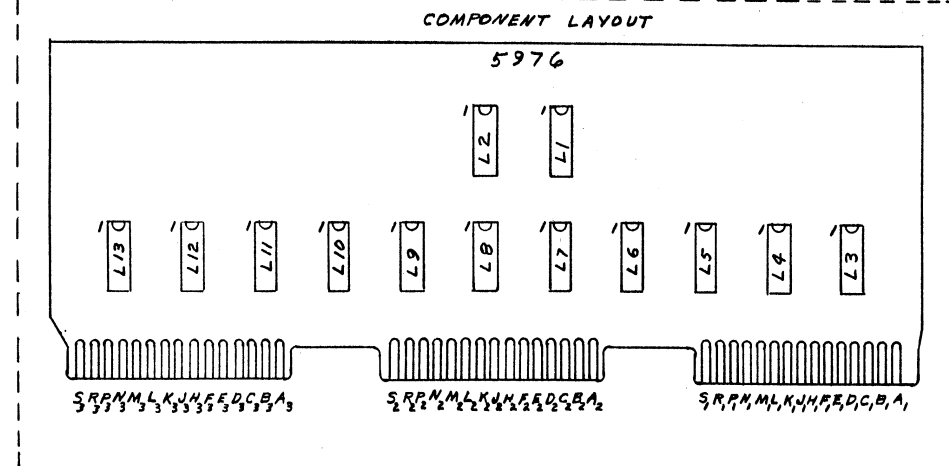


G
F
E
D
C
B
A



LOCATION	TYPE	WANG LAB. No.	TERM. No. V _{CC} +5VR	TERM. No. ±0V	QTY
L1	9935	376-0025	14	7	1
L2	SN7410N	376-0003	14	7	1
L3,8,9,13	SN74H04N	376-0045	14	7	4
L4,5	SN74H00N	376-0037	14	7	2
L6	MC884	376-0024	14	7	1
L7,11,12	SN7404N	376-0010	14	7	3
L10	SN7421N	376-0051	14	7	1

COMPONENT	SIZE/TYPE	WANG LAB. No.	QTY
R1	33Ω 1/4W	330-1033	1
R2	270Ω 1/4W	330-2027	1
R3	180Ω 1/4W	330-2018	1
R4	220Ω 1/4W	330-2022	1
R5	39K 1/4W	330-4039	1
R6,7, R8 THRU R16	470Ω 1/4W	330-2047	11
C1	.22 μF	300-1902	1
C2,3, C10 THRU C15	.05 μF	300-1900	8
C4	.1 μF	300-1901	1
C5	330 pF ±5%	300-1331	1
C6,7	680 pF	300-1680	1
C8,9	10 μF 15VDC	300-3006	2
D1, 6, 9	GERM. DIODE	380-0000	3
D2, 3, 4, 5, 7, 8	SIL DIODE	380-1001	6
C16	.022 μF	300-2122	1



REV	DATE	BY	APP
1	12/18/71	JS	8-10-TL

REVISION

1 PER ECN #2621 ADDED C16, .022μF NYLAL TO L11-PIN10 AND 1 TO GND. APP' - JK 40

2 PER ECN #3128 R5, C WAS 1K ADDED RB THRU R16 APP'D SKH

WANG LABORATORIES INC.
TOWNSHIRE, MASS.

MODEL NO. 700C
DRAWN: 9/15/71
CHECKED: 9/20/71
APP. SKH

TITLE: SCHEMATIC LOGIBLOC # 5976
BUFFER BOARD

SHT. OF 1 D 5976-1 REV. 2