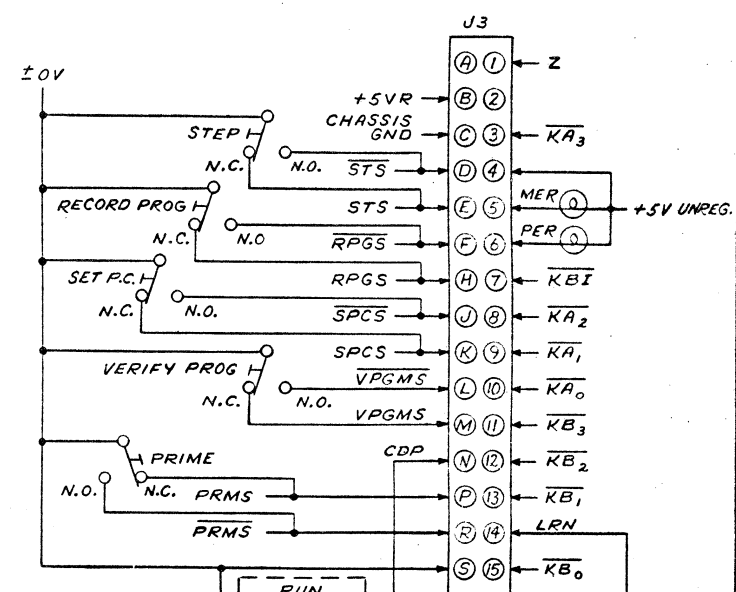
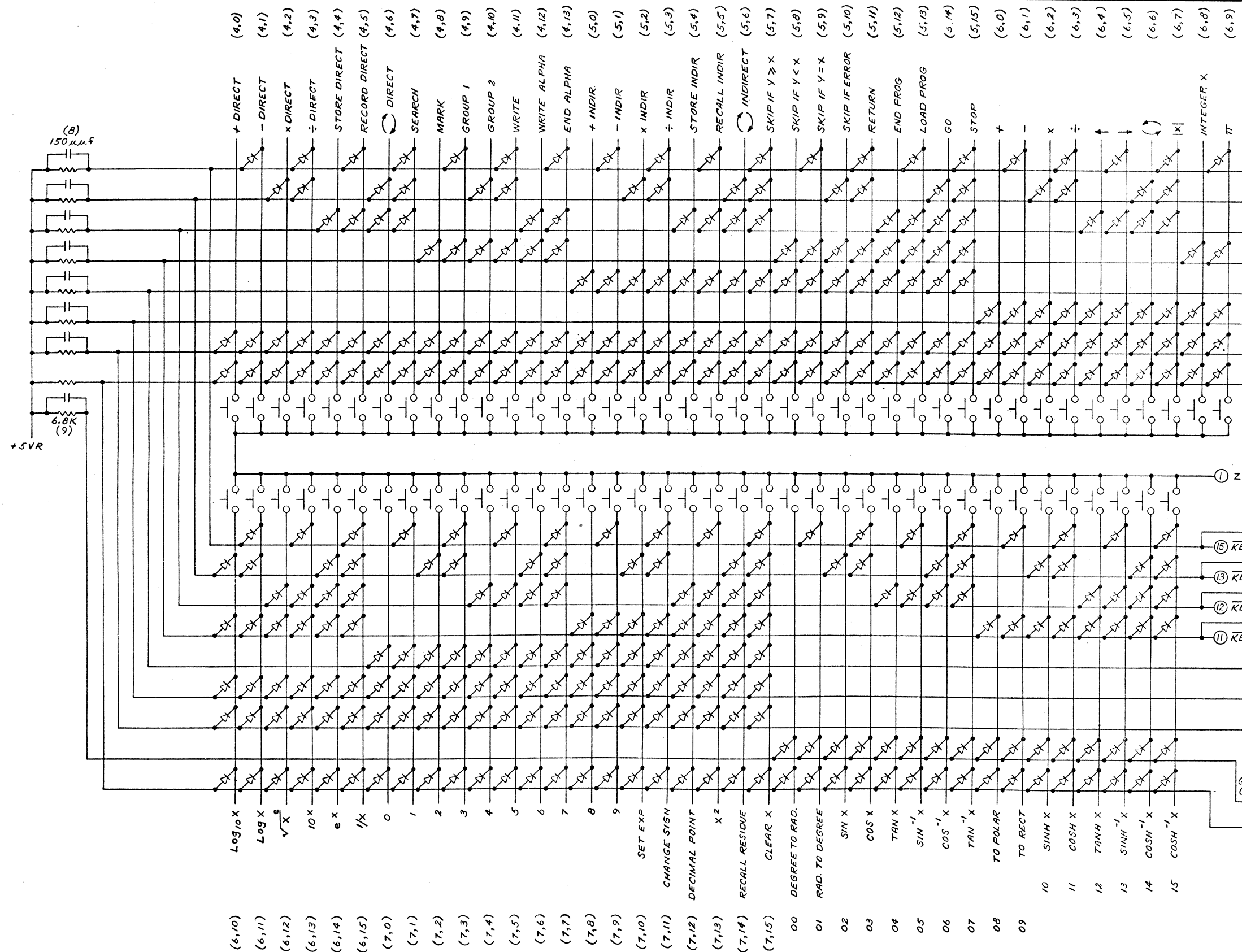
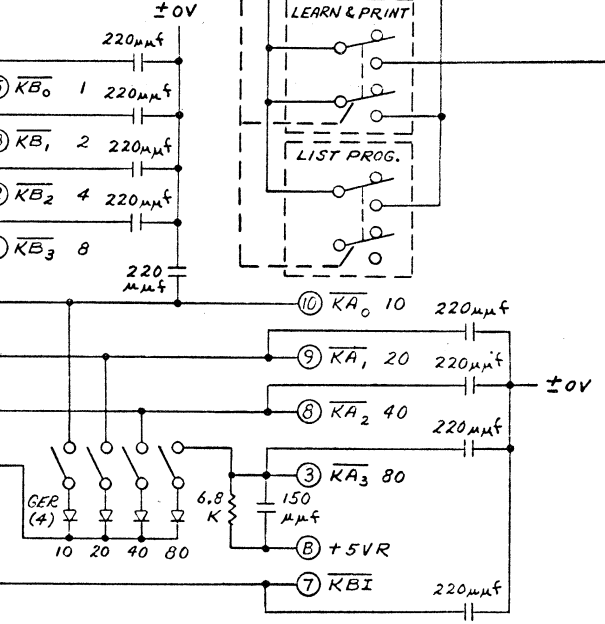
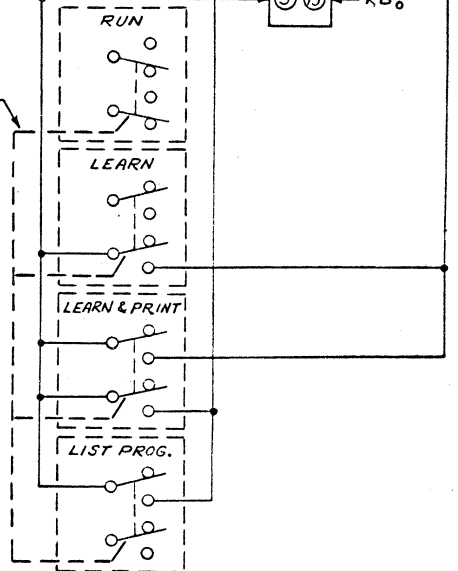


DO NOT SCALE



MECHANICAL INTERLOCK, DEPRESS AND RELEASE ONE SWITCH AT A TIME. SHOWN IN RUN.



NO	REVISION	BY	DATE
1	REVISED PER 2 F.S. 6.8.2022 APPD. JKH TJS		

TOL. EX. AS NOTED .XX ±.010 ANG. ±30' .XXX ±.005 FRAC. ±1/64 FINISH: ✓		IDENT QTY	NAME	MATERIAL	DESCRIPTION
WANG LABORATORIES, INC. TEWKSBURY, MASS. U.S.A.		1	MODEL 700 KEYBOARD	DR F.S.S.	DATE 1-29-70
TITLE		1	REV	DATE 2-13-70	CHK RIT
PART NUMBER		1	REV	DATE 3-13-70	APPD SJK
REV		1	REV	DATE 3-13-70	DATE 3-13-70
SIZE		1	REV	DATE 3-13-70	DATE 3-13-70
DRAWING NUMBER		1	REV	DATE 3-13-70	DATE 3-13-70

5937-1