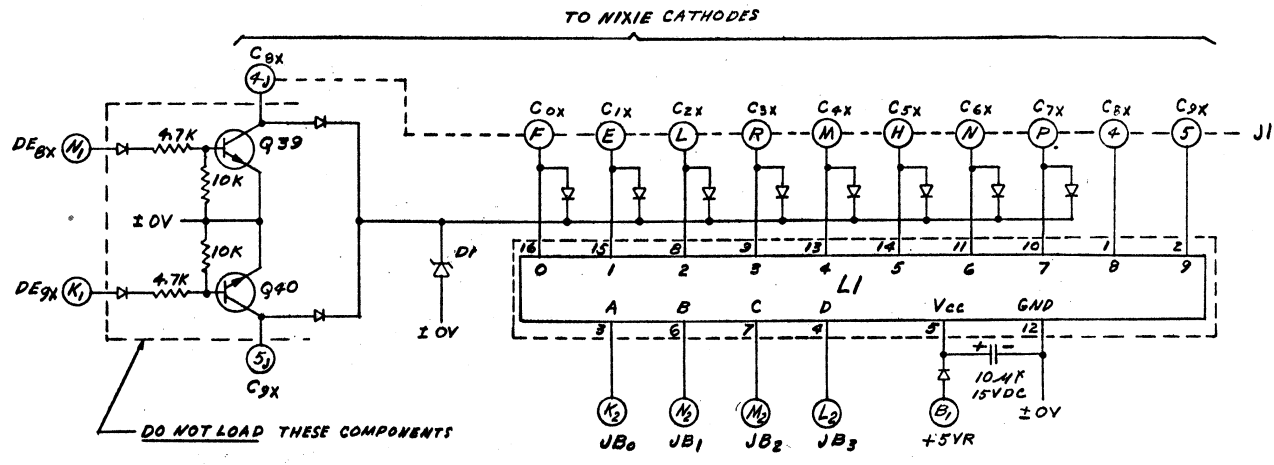
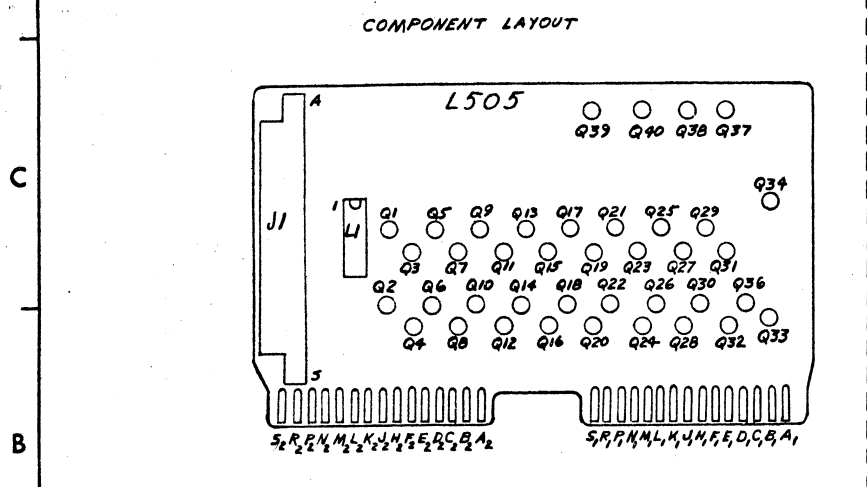
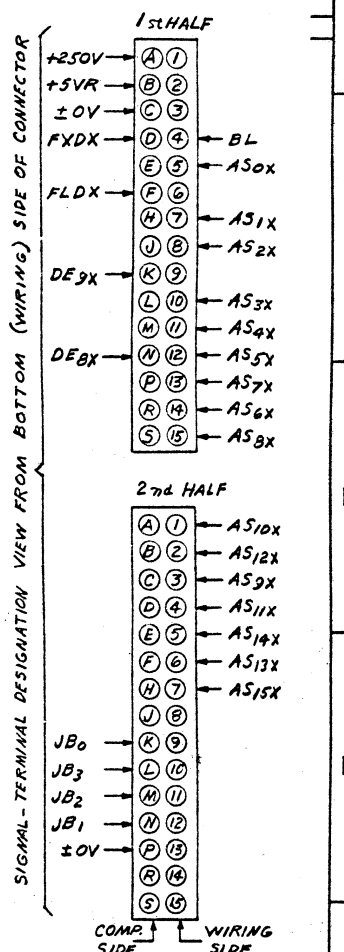
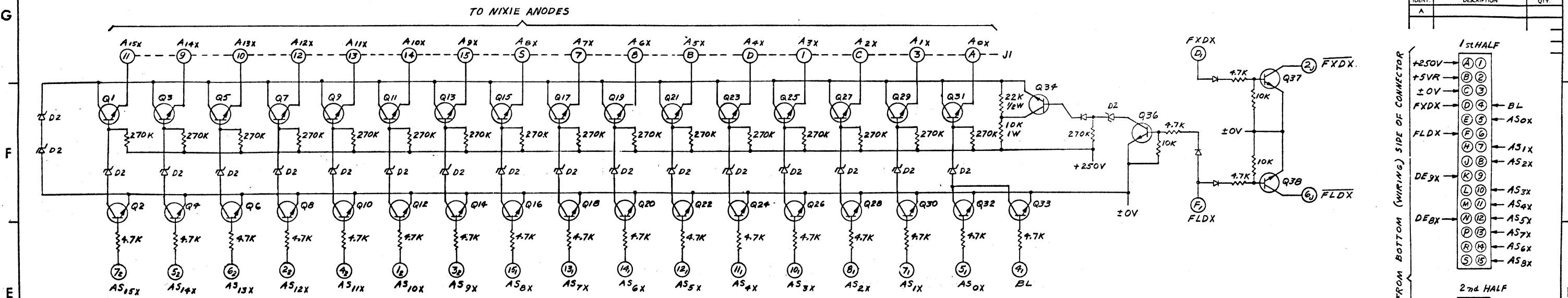


HOLE LEGEND		
DRILLED OR PUNCHED HOLE	HOLE DIA.	TOL.
	0.135 to .125	±.003
	.126 to .250	±.004
	.251 to .500	±.007



LOCATION	TYPE & MFR'R	TERM No. VCC + 5VR	TERM No. ±0V	QTY
L1	SN79141M SIGNETICS CORR.	5	12	1

NOTE:
 1. ALL DIODES EM403 UNLESS SPECIFIED OTHERWISE (QTY 15) D1 WL380-2127 (1) (60V) D2 WL380-2125 (19) (110V)
 2. ALL TRANSISTORS ARE 2N3490 (QTY 39)

NO.	REVISION	DATE	BY	APP.
1	PER ECN 1510 REMOVED 16-10K RESISTORS, ADDED 16-590 PF CAP. APP. RJT	8/30/70	JS	JS
2	PER ECN 1517 ADDED .0047-4C 500V CAP. CER. APP. RJT	5/16/70	JS	JS
3	PER ECN 1526 ADDED 390 PF TO Q36 AND CHANGED 10K TO 180K APP. RJT	5/14/70	JS	JS
4	PER ECN 1657 ADDED 2 TRACKS TO LI PIN 14-2, ADDED NOTE TO LI APP. RJT	8/17/70	JS	JS
5	PER ECN 1835 REVISED WITH EXTENSIVE CHANGE APP RJT	11-20-70	JS	JS
6	PER ECN 2490 REMOVED D3 220V ZENER ADDED 2-D2 110V ZENERS APP. SKH	9/21/71	JS	JS
7	PER ECN 2595 D1 WAS 380-2123 EM403 ADDED 10 DIODES APP. SKH	11/29/71	JS	JS

WANG PART NO.	ITEM	QTY.	NAME	MATERIAL	DESCRIPTION
	FIRST USED ON				
	ASSY USED ON				
			WANG LABORATORIES, INC. WENDELL, MASS. U.S.A.		
			MODEL NO. 700		
			SEE ENGR SPECIFICATIONS		
			TITLE SCHEMATIC LOGIBLOC # L505 X NIXIE CONTROL ANODE SWITCH		
			TOL. EX. AS NOTED .XX ± .010 FRAC. ± 1/64 .XXX ± .003 ANG. ± 1° 30' FINISH V		
			SCALE	SHT	OF
			WANG PART NUMBER	SIZE	DRAWING NUMBER
					REV.