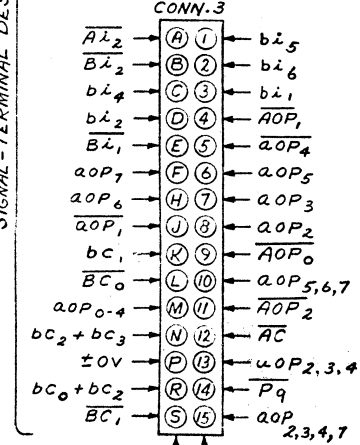
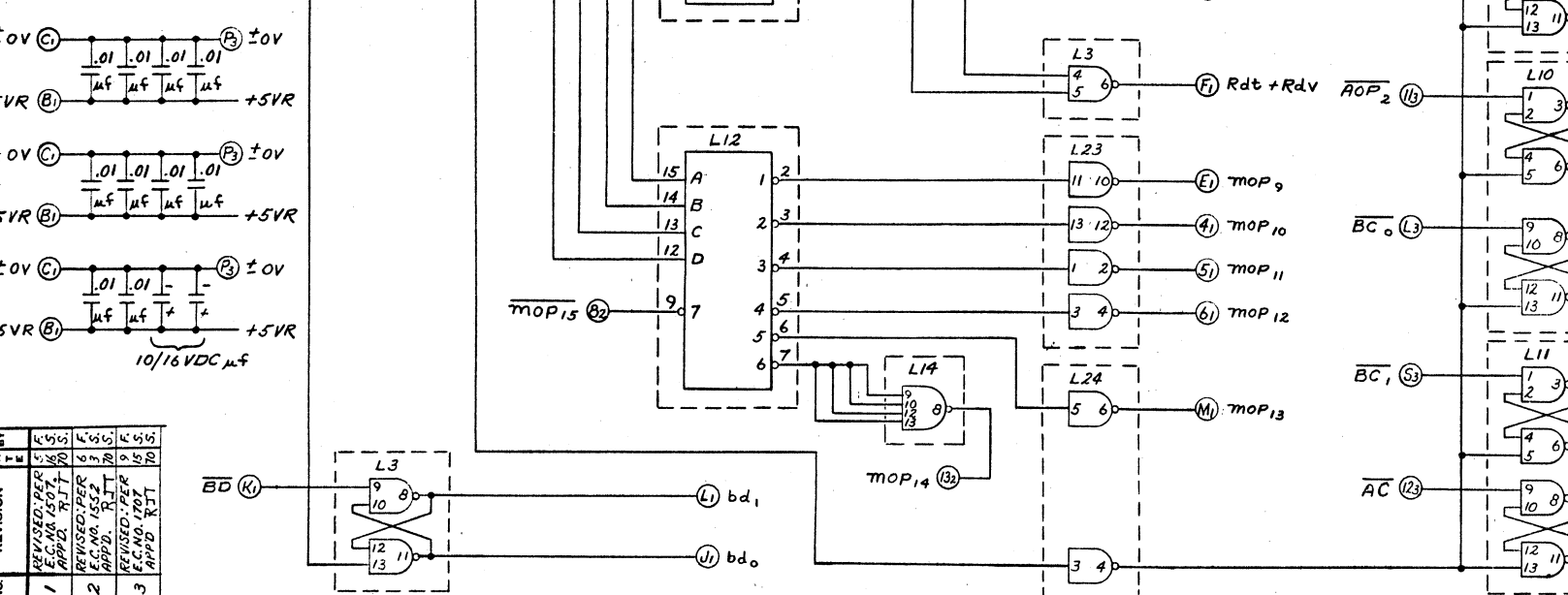
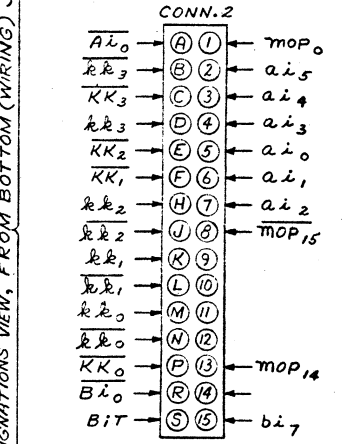
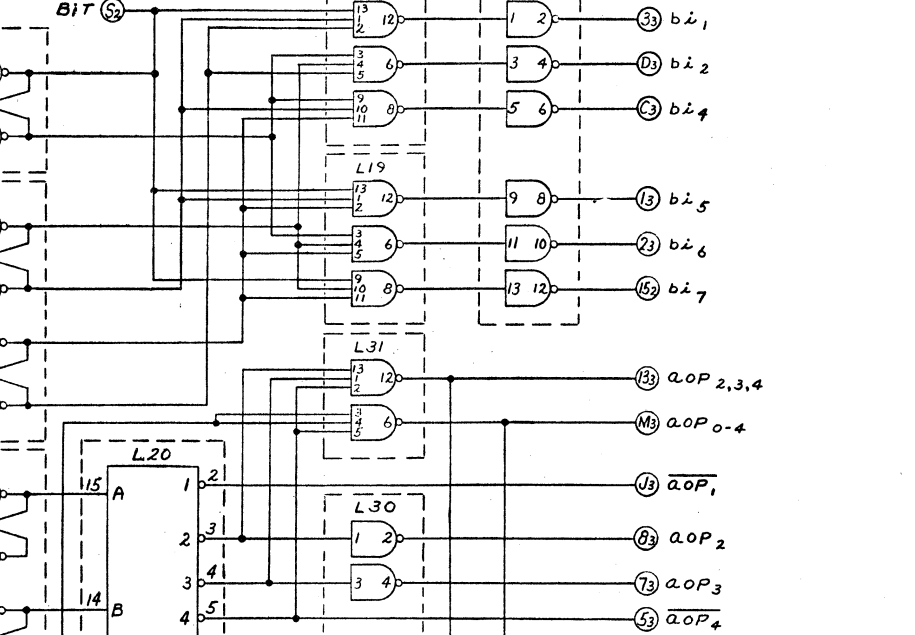
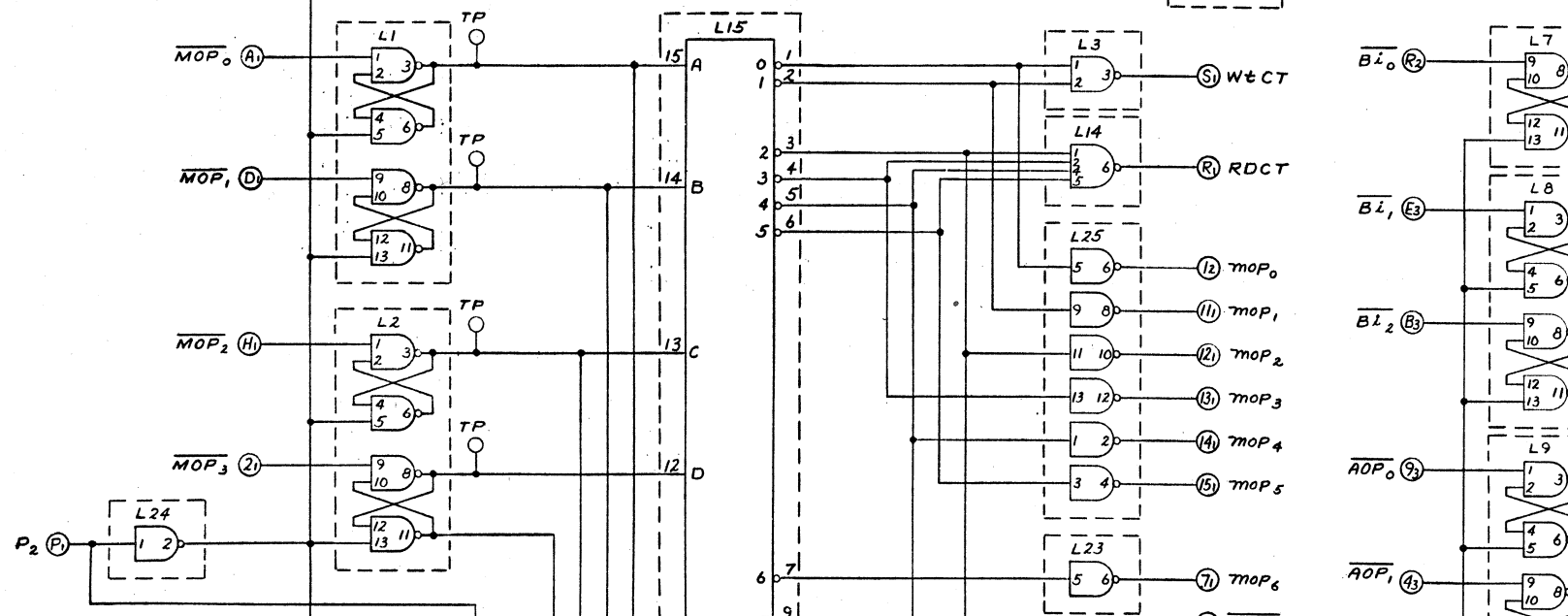
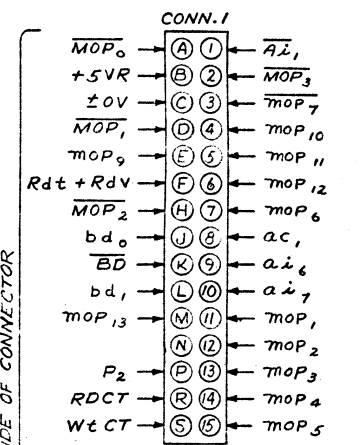
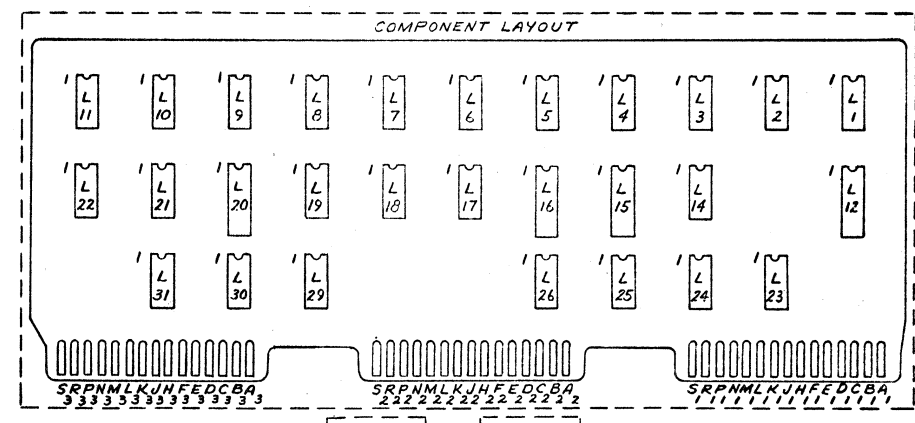
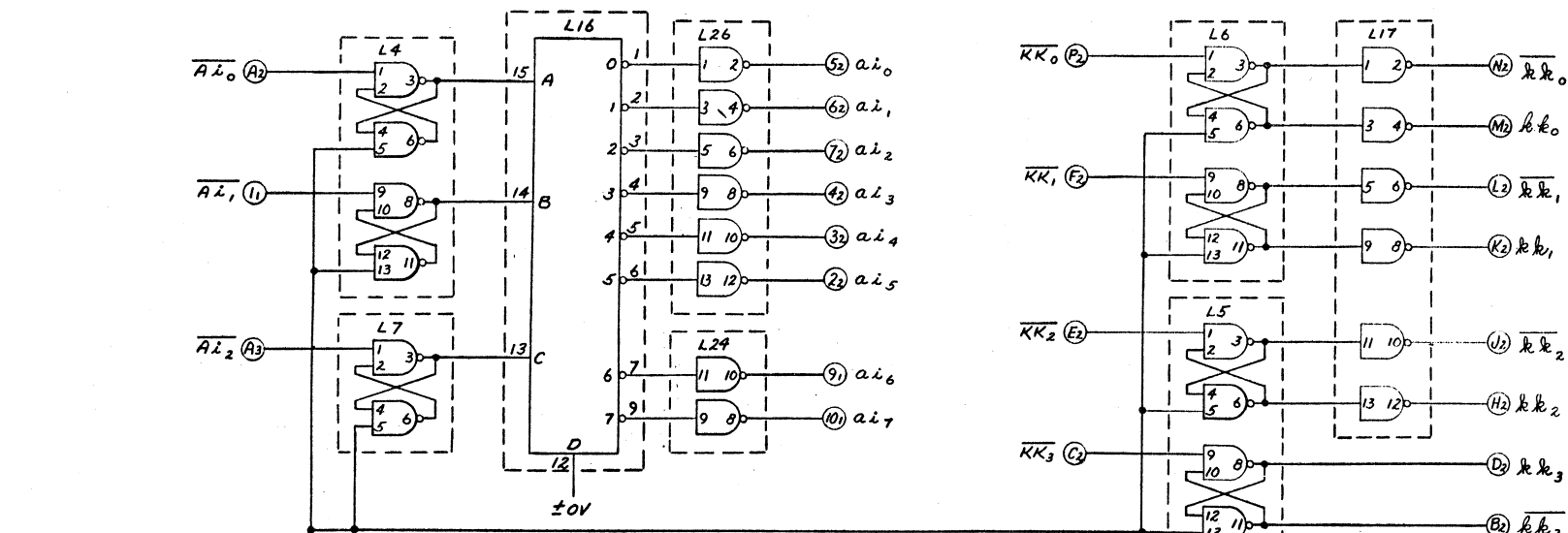


I.C. LOCATION	TYPE	W.L. NO.	QTY.	TERM FOR VCC +5V	TERM FOR ±0V
L1, 2, 3, 4, 5, 6, 7, 8, 9, 10, 11, 22	SN7400N	376-0002	12	14	7
L21	SN7402N	376-0016	1	14	7
L17, 23, 24, 25, 26, 29, 30	SN7404N	376-0019	7	14	7
L18, 19, 31	SN7410N	376-0003	3	14	7
L14	SN7420N	376-0004	1	14	7
L12, 15, 16, 20	SN7442N	376-0008	4	16	8



NO.	REVISION	DATE	BY	REASON
1	REVISED PER EC.MA.1507	1/10/70	...	...
2	REVISED PER APPD. R.J.T.	3/13/70	...	...
3	REVISED PER APPD. R.J.T.	3/13/70	...	...

IDENT	QTY	NAME	MATERIAL	DESCRIPTION
3	D	5922-1		

WANG LABORATORIES, INC.		DATE 8/25/69
TENNESSEE, MASS. U. S. A.		DATE 3/13/70
MODEL No.	W.O. No.	SCALE
TITLE SCHEMATIC LOGIBLOC #5922 ROM DECODER		
PART NUMBER	REV	DRAWING NUMBER

D 5922-1