

HOLE LEGEND		
	HOLE DIA.	TOL.
DRILLED OR PUNCHED HOLE	0.135 to 0.125	±.003
	0.125 to 0.250	±.004
	0.251 to 0.500	±.005
	0.501 to 1.000	±.007

IDENT.	DESCRIPTION	QTY.
A		

CONN. 1		
KA <sub>2</sub>	(A) 1	KIN
+5VR	(B) 2	GIN
±0V	(C) 3	GI <sub>6</sub>
KB <sub>2</sub>	(D) 4	KA <sub>2</sub>
KA <sub>3</sub>	(E) 5	KA <sub>0</sub>
GI <sub>7</sub>	(F) 6	KA <sub>1</sub>
KA <sub>0</sub>	(G) 7	KB <sub>3</sub>
GI <sub>4</sub>	(H) 8	KBD <sub>2</sub>
KBI	(I) 9	BR
KBI	(L) 10	GSKBD
KA <sub>1</sub>	(M) 11	GI <sub>5</sub>
GI <sub>2</sub>	(N) 12	KB <sub>2</sub>
KB <sub>3</sub>	(P) 13	GI <sub>3</sub>
GI <sub>0</sub>	(R) 14	KB <sub>0</sub>
KB <sub>1</sub>	(S) 15	GI <sub>1</sub>

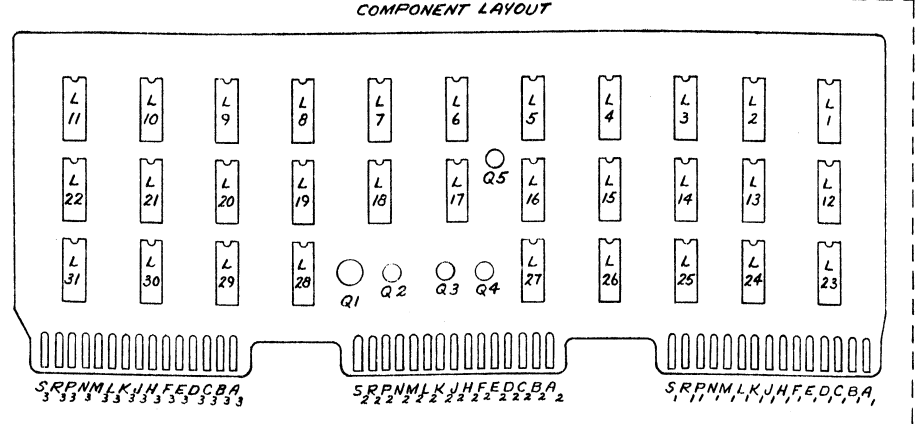
  

CONN. 2		
KB <sub>1</sub>	(A) 1	KBL
KBD	(B) 2	RKBO
SKBO	(C) 3	MOP <sub>10</sub>
Z	(D) 4	DOT
ZK	(E) 5	MOP <sub>13</sub>
MOP <sub>12</sub>	(F) 6	TMR
BIT	(H) 7	KBD <sub>1</sub>
V <sub>0</sub>	(J) 8	P <sub>5</sub>
V <sub>1</sub>	(K) 9	N <sub>0</sub>
V <sub>2</sub>	(L) 10	N <sub>0</sub>
V <sub>3</sub>	(M) 11	N <sub>1</sub>
DIN	(N) 12	N <sub>1</sub>
RC	(P) 13	N <sub>2</sub>
MOP <sub>2</sub>	(R) 14	N <sub>2</sub>
MOP <sub>3</sub>	(S) 15	N <sub>3</sub>

CONN. 3		
MOP <sub>4</sub>	(A) 1	N <sub>3</sub>
MOP <sub>5</sub>	(B) 2	M <sub>0</sub>
P <sub>4</sub>	(C) 3	M <sub>0</sub>
MOP <sub>11</sub>	(D) 4	M <sub>1</sub>
KRBO	(E) 5	M <sub>1</sub>
V <sub>0</sub>	(F) 6	M <sub>2</sub>
KA <sub>0</sub>	(H) 7	M <sub>2</sub>
KA <sub>1</sub>	(J) 8	M <sub>3</sub>
V <sub>1</sub>	(K) 9	M <sub>3</sub>
T <sub>0</sub>	(L) 10	L <sub>0</sub>
V <sub>2</sub>	(N) 12	L <sub>1</sub>
±0V	(P) 13	L <sub>1</sub>
+5VR	(R) 14	k <sub>2</sub> k <sub>3</sub>
T <sub>1</sub>	(S) 15	U <sub>3</sub>

I.C. LOCATION	TYPE	W.L. NO.	TERM FOR VCC +5V	TERM FOR ±0V	QTY.
L17	F9930	376-0022	14	7	1
L25	F9935	376-0025	14	7	1
L6,16,23	F9936	376-0026	14	7	3
L1,2,3,4,6,7,9,12,13,14,15,24	F9946	376-0023	14	7	12
L10	F9943	376-0033	14	7	1
L18	SN7400N	376-0002	14	7	1
L5,20	SN7402N	376-0016	14	7	2
L19	SN7404N	376-0010	14	7	1
L11,26	SN7410N	376-0003	14	7	2
L21,22	SN7431N	376-0012	14	7	2
L27,28,29,30,31	SN7474N	376-0006	14	7	5



WANG PART NO.	ITEM	QTY.	NAME	MATERIAL	DESCRIPTION
	FIRST USED ON	ASSY USED ON			
<b>WANG</b> LABORATORIES, INC. TEWKSBURY, MASS. U.S.A.					
BY		DATE	APPROVED BY	DATE	
DWN F.S.S.		11/25/61	E ENGR S.H.H.	11/20/61	
CHK R.J.T.		5-15-62	M ENGR		
E.C. CONTROL			MFG ENGR		
TITLE SCHEMATIC LOGIC LCC #5926					
KBD, CORE ADDRESS, KEYBOARD REG.					
SEE ENGR SPECIFICATIONS					
FINISH TOL. EX. AS NOTED					
XX ± 0.10 FRAC ± 1/64					
XXX ± 0.05 ANG. ± 1°30' FINISH V					
SCALE	SHT	OF	WANG PART NUMBER	SIZE	DRAWING NUMBER
			D 5926-1		4

REVISION	REVISED PER E.C.	REVISED PER E.C.	REVISED PER E.C.	REVISED PER E.C.
1	REVISED PER E.C.	REVISED PER E.C.	REVISED PER E.C.	REVISED PER E.C.
2	REVISED PER E.C.	REVISED PER E.C.	REVISED PER E.C.	REVISED PER E.C.
3	REVISED PER E.C.	REVISED PER E.C.	REVISED PER E.C.	REVISED PER E.C.
4	REVISED PER E.C.	REVISED PER E.C.	REVISED PER E.C.	REVISED PER E.C.